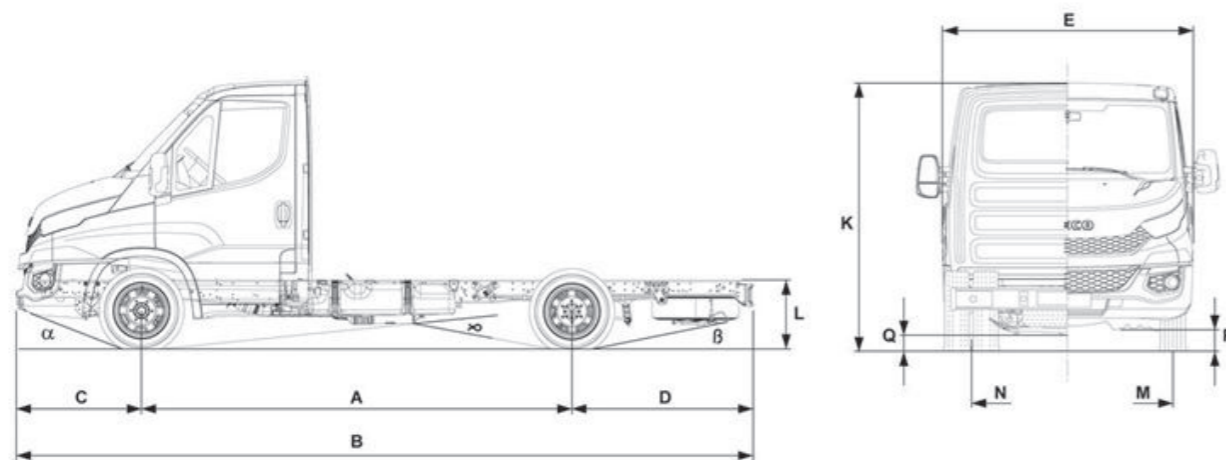


65C15/E3 Twin Rear Wheels

| Dimensions (mm) | | | | | | |
|-----------------|---------------------------------------|-------------|-------------|-------------|-------------|-------------|
| A | Wheel base | 3450 | 3750 | 4100 | 4350 | 4750 |
| B | Maximum Length (#) | 5943 | 6553 | 6953 | 7373 | 8238 |
| C | Front Overhang | | | 1008 | | |
| D | Rear Overhang (#) | 1485 | 1795 | 1845 | 2015 | 2480 |
| E | Max Chassis Cab width | | | 2052 | | |
| | Front Axle / Rear Cab | | | 1355 | | |
| | Front axle/Front Body | | | 1410 | | |
| K | Overall Height (Unladen) | 2350 | 2350 | 2350 | 2350 | 2350 |
| M | Front Track | | | 1723 | | |
| N | Rear Track | | | 1661 | | |
| L | Unladen Frame Height at Rear of Frame | 675 | 683 | 681 | 682 | 689 |
| P/Q | Front/Rear Ground Clearance | | | 196/177 | | |
| | Turning circle: kerb/kerb | 12138 | 13048 | 14108 | 14866 | 16078 |
| | Turning circle: wall/wall | 12782 | 13694 | 14758 | 15518 | 16734 |

| OPTIONAL Factory fit Fix body dimensions (mm) | | | | | | |
|---|---|------|------|------|------|------|
| | Maximum vehicle Length (with standard body) | 5985 | 6595 | 7148 | 7718 | 8568 |
| | Body Length | 3560 | 4160 | 4700 | 5300 | 6150 |
| | Maximum Body Width | | | 2300 | | |
| | Side height | 500 | 500 | 500 | 500 | 500 |

| Weights (Kg)* | | | | | | |
|---------------------------------------|------|------|------|-------|------|--|
| GVW | | | | 6500 | | |
| GTW | | | | 10000 | | |
| Front Axle Capacity | | | | 2300 | | |
| Rear Axle Capacity | | | | 5000 | | |
| Kerb Weight Front Axle (without Body) | 1495 | 1505 | 1526 | 1534 | 1543 | |
| Kerb Weight Rear Axle (without Body) | 836 | 844 | 846 | 853 | 872 | |
| Kerb Weight Total (without Body) | 2331 | 2349 | 2372 | 2387 | 2415 | |
| Max Body and Payload Capacity | 4169 | 4151 | 4128 | 4113 | 4085 | |



REPRESENTATIVE NAME & CONTACT



Ansa Motors Barbados Ltd.
 Willey, St. Michael, BB14007,
 Bridgetown, Barbados.
 Tel: (246) 467 2400
 Email: reachus@ansamotorsbb.com

Ansa Motors Guyana
 60-64 Industrial Site, Beterverwagting,
 East Coast Demerara, Guyana.
 Tel: +592-220-0930 ext. 304 / 305
 Email: ansalesgy@ansamcal.com

ANSACommercial
 ansamotors_commercial
 ANSA Motors Limited
 ansamotors.com



H O M E O F T H E W O R L D ' S B E S T B R A N D S



NEW DAILY TRUCK

Drive the icon



IVECO

Drive the road of change



Your ideal business partner. "Perfect for Caribbean Roads"

SAFE AND STRONG

Safe in every situation and in all conditions.

VERSATILE

Ready to follow your business even in the most demanding missions.

CONNECTIVITY

Maximizes your Daily's uptime and your business productivity.



ENGINE

Type: F1CE3481J - 4 stroke diesel cycle-Watercooled 6 valves (4 per cylinder)
- DOHC - High Pressure Common Rail direct injection + EDC
- Turbocharger and intercooler + Wastegate - Cast-iron engine block with aluminium cylinder head - Suspended Oil Sump - Dual mass flywheel. Integrated Vacuum and Steering Pumps. Glow plugs. Blow-by system.

Basic data

| | |
|---------------------------|---|
| Number of Cylinders | 4 Vertical In Line |
| Bore x Stroke | 95,8 mm x 104 mm |
| Total Displacement | 2998 cm3 |
| Maximum Output | 146 hp (107 kW) at 3000-3500 rpm |
| Maximum Torque | 350 Nm at 1400-2600 rpm |

Emission according Euro 3.

TRANSMISSION

Six speeds Overdrive, synchromeshed manual transmission.

Push/Pull cable control. Gear Lever on Dashboard.

Performance rating (calculated value with standard tyres and axle ratio):

| Gear | Gear Ratio | Maximum Geared Speed (Km/h) | Gradeability at GVW (%) |
|----------------|------------|-----------------------------|-------------------------|
| 1 ^o | 5,37 | -- | > 35 |
| 6 ^o | 0,79 | > 120 | -- |

Power Take-Off

Facility for side mounted PTO. Maximum torque output: 180 Nm.

CLUTCH

Single dry plate hydraulic.
External Diameter: 279,5 mm (11").

FRAME

"C"- Section steel longitudinal side members and tubular cross members. (Fe 420, Dimensions 184x69x5)
Anti corrosion process with full cathaphoretic dipping & galvanized box sections.

STEERING

L.H.D., hydraulically assisted, rack and pinion type

Steering wheel Ø 390mm, lock.

FRONT AXLE

Independent wheels.

REAR AXLE

Rigid, bevel and crown, single reduction.

Axle Ratio Standard: 4,556

SUSPENSION

Front

New QUAD-TOR incorporating torsion bar.

Anti-roll bar is Standard.

Rear

Semi-elliptic leaf springs and rubber rebound bumpers.

Anti-roll bar is Standard

Shock Absorbers

Front and rear heavy duty hydraulic telescopic shock absorbers.

ELECTRICAL SYSTEM

CAN Bus digital communication line.

Battery: 12V - 110 Ah

Alternator: 110A

Starter motor output: 2.3 kW.

BRAKING SYSTEM

Ventilated Disc brakes front and rear.

| | | |
|------------|-------|------|
| Brake Dim. | Front | Rear |
|------------|-------|------|

| | | |
|------------|-----|-----|
| Disc Ø mm. | 301 | 306 |
|------------|-----|-----|

| | |
|-------------------------|-------------|
| Brake Calipers (n"xmm): | 2x60 / 2x48 |
|-------------------------|-------------|

Service and Emergency

Dual circuit with vacuum servo.

Floating disc caliper with auto wear adjustment. Brake level pad

front / rear wear indicators.

Asbestos free pads

Emergency brake built into the service brake system.

Parking Brake

Manual brake operating on rear wheels.

ABS+EBD STANDARD

WHEELS / TYRES (Standard)

Tyres: (6+1 spare)225/75R16

Load index 118/116

| | |
|---------|------------|
| Wheels: | 6 JK - 16H |
|---------|------------|

CAB

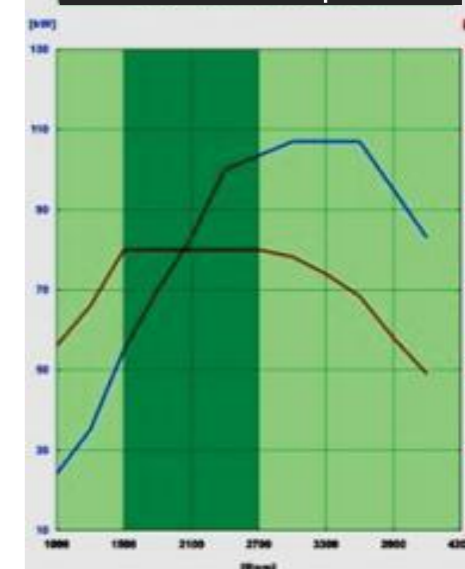
- Three person semi-forward type cabin (Driver + 2 passengers)

- Pressed steel unitary construction body mounted on rubber bushes.

- Anti-corrosion protection for all body construction and boxed areas galvanized in zinc and/or cathaphoresis with large use of galvanized panels.

- Protective Anti-abrasion undercoating material for all under body cabin area, wheel housings and engine area.

3.0L - 146 Hp



- Laminated windscreen
 - **Driver seat 3 way adjustable, wrap-around back support upholstered in heavy duty cloth and headrest.**
 - Dual passenger seat with headrests.
 - **Safety belts all seats.**
 - Adjustable sun visors.
 - **Outside Rear View Mirrors on both sides + integrated wide-angle mirror, and turn indicators lights.**
 - **Electric side door's windows**
 - All new dash board with improved storage, cup holders, Closed dash top storage.
 - COMFORT - new cluster with:
 - Analogue Electronic Speedometer
 - Electronic Rev Counter
 - **Fuel Level Indicator with Reserve Light Indicator**
 - Engine Water Temperature Indicator with High Temperature Indicator Light**
 - Digital Display with:
 - Kilometer Counter (Trip and Total)
 - Clock
 - Instrument Light Dimmer Switch
 - Indicator lights to monitor all **vehicle functions.**
 - All lighting an signals EEC std.
 - Glove/storage compartments.
 - Climate Control (Hot/ Fresh air)
 - Windshield Wipers
 - Cab Locking with remote control.
- Other equipment**
- Spare wheel under rear overhang.**
 - 100 lts shaped fuel tank, with fuel filler on cab pillar, with key lock.
 - Front recovery eye.
 - Exhaust pipe with manifold longitudinally positioned on the right side with stub-pipe outlet placed within the side members.
- External Badge: 65 - 150**