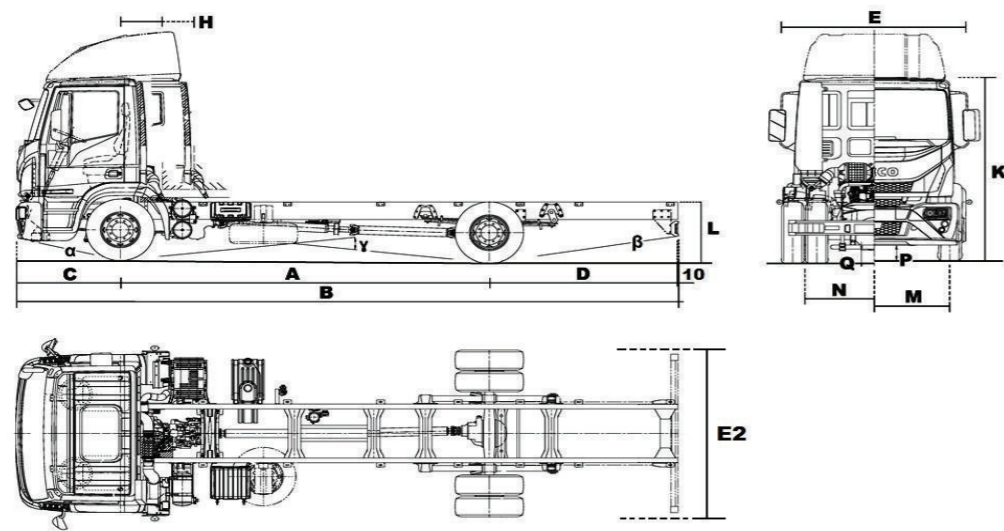


DIMENSIONS (MM)

Wheelbase (A)	3105 MLC	3690 MLC	4185 MLC	4455 MLC	4815 MLC	5175 MLC	5670 MLC	6570 MLC	3690 MLL	4185 MLL	4455 MLL	4815 MLL	5175 MLL	5670 MLL	6570 MLL
Max length (B)	5790	6802	7612	8017	8647	9232	10042	11547	6802	7612	8017	8647	9232	10042	11547
Max width over wings (cab) (E)	2295	2295	2295	2295	2295	2295	2295	2295	2295	2295	2295	2295	2295	2295	2295
Overall width (rear tyres) (E2)	2280	2280	2280	2280	2280	2280	2280	2280	2280	2280	2280	2280	2280	2280	2280
Front axle to back of cab (F)	265	265	265	265	265	265	265	265	845	845	845	845	845	845	845
Front axle to front of body (H)	550	550	550	550	550	550	550	550	910	910	910	910	910	910	910
Frame height at end of frame, unladen (L)	1092	1098	1099	1098	1100	1101	1101	1102	1098	1100	1100	1102	1103	1103	1104
Frame height at front axle, unladen	869	869	869	867	866	865	865	864	859	858	857	856	855	854	853
Frame height at rear axle, unladen									1007	1005	1005	1005	1003	1001	
Back of cab to end of frame	4153	5165	5975	6380	7010	7595	8405	9800	4585	5395	5800	6430	7015	7825	9330
Rear overhang (D)	1313	1740	2055	2190	2460	2685	3000	3605	1740	2055	2190	2460	2685	3000	3605
Minimum ground clearance (front) (P)	232	232	232	232	232	232	232	232	232	232	232	232	232	232	232
Minimum ground clearance (rear) (Q)	179	179	179	179	179	179	179	179	179	179	179	179	179	179	179
Overall height to top of cab, unladen (K)	2736	2741	2736	2734	2733	2733	2732	2731	2736	2731	2729	2728	2727	2727	2726
Turning diameter kerb to kerb	11420	13000	14720	15540	16640	17740	19260	22000	13200	14720	15540	16640	17740	19260	22000
Turning diameter wall to wall	12580	14360	15880	16720	17820	18920	20440	23180	14360	15880	16720	17820	18920	20440	23180
Front track (M)	1910	1910	1910	1910	1910	1910	1910	1910	1910	1910	1910	1910	1910	1910	1910
Rear track (N)	1745	1745	1745	1745	1745	1745	1745	1745	1745	1745	1745	1745	1745	1745	1745
Approach angle (°)	12	12	12	12	12	12	12	12	12	12	12	12	12	12	12
Front overhang (C)	1362	1362	1362	1362	1362	1362	1362	1362	1362	1362	1362	1362	1362	1362	1362
Departure angle (°)	16	13	11	10	9	8	7	7	13	11	10	9	8	7	7
Ramp angle (°)	18	16	14	13	12	11	10	9	16	14	13	12	11	10	9



REPRESENTATIVE NAME & CONTACT



Ansa Motors Barbados Ltd.
 Willey, St. Michael, BB14007,
 Bridgetown, Barbados.
 Tel: (246) 467 2400
 Email: reachus@ansamotorsbb.com

Ansa Motors Guyana
 60-64 Industrial Site, Betervervagting,
 East Coast Demerara, Guyana.
 Tel: +592-220-0930 ext. 304 / 305
 Email: amsalesgy@ansamcal.com

ANSACommercial

ansamotors_commercial

ANSA Motors Limited

ansamotors.com



H O M E O F T H E W O R L D ' S B E S T B R A N D S



COMMERCIAL
DIVISION

NEW
EUROCARGO



IVECO
Drive the road of change



GEARBOX

	Gearbox Type	Installation	Box material	Total ratio speed	Dry weight Kg	Max input torque Nm	No. of forward gears	No. of reverse gears	No. of synchro gears
6S 1000 TO	Mechanical SYNCHRONIZED	ENGINE FLANGED	ALUMINIUM ALLOY	8.65	136	1050	6	1	6
9S 1110 TO	Mechanical SYNCHRONIZED	ENGINE FLANGED	ALUMINIUM ALLOY	12.64	136	1100	9	1	9

GEAR RATIOS

	1st	2nd	3rd	4th	5th	6th	7th	8th	9th	rev. 1st
6S 1000 TO	6.75	3.6	2.12	1.39	1	0.78				6.06
9S 1110 TO	9.48	6.58	4.68	3.48	2.62	1.89	1.35	1	0.75	8.97

CLUTCH

	Type	Adjustment	Outer diameter mm	Outer diameter (inches)	Release control
6S 1000 TO	SINGLE DRY PLATE	AUTOMATIC	395	15.5"	MECHANICAL/HYDRAULIC
9S 1110 TO	SINGLE DRY PLATE	AUTOMATIC	395	15.5"	MECHANICAL/HYDRAULIC

REAR AXLE RATIO

Option code	00007	00009	00015	00738	02005	02006 *	02010	02021	04816	06025	06055 *
Ratio	6.14	6.83	5.29	4.63	3.42	3.73	4.88	4.111	4.33	5.57	3.9

*: Standard axle ratio

TYRES & WHEELS

Code	Tyres	Front	Rear	Dynamic Radius m	Rolling resistance Coefficient	Load index	Speed index	Rolling radius m	Rolling circumference m
20076	Standard	285/70R19,5	285/70R19,5	.434	.007		M = 130 KM/H	.412	2.73
20164	Optional	10R22,5	10R22,5	.495	.007		L = 120 KM/H		3.111
20075	Optional	265/70R19,5	265/70R19,5	.421	.007	140/138	M = 130 KM/H		2.644
20074	Optional	245/70R19,5	245/70R19,5	.407	.007	136/134	M = 130 KM/H		2.559

Wheels			
Rim type	DISC	Rim material	STEEL

AXLES

Position	Description	Type
Front	5860 CS - Iveco axle - narrow track	RIGID
Rear	MS10-144 - Arvin Meritor Rear axle S.R.	RIGID

WEIGHTS (KG)

Wheelbase (A)	3105 MLC	3690 MLC	4185 MLC	4455 MLC	4815 MLC	5175 MLC	5670 MLC	6570 MLC	3690 MLL	4185 MLL	4455 MLL	4815 MLL	5175 MLL	5670 MLL	6570 MLL
Total vehicle kerb weight	4480	4545	4570	4670	4710	4730	4785	4875	4675	4700	4800	4840	4860	4915	5005
Kerbweight - F.A.	3050	3050	3070	3120	3145	3155	3170	3205	3165	3185	3235	3260	3275	3290	3325
Kerbweight - R.A.	1430	1495	1500	1550	1565	1575	1615	1670	1510	1515	1565	1580	1585	1625	1680
G.V.W. (EC)	14000	14000	14000	14000	14000	14000	14000	14000	14000	14000	14000	14000	14000	14000	14000
Plated weight on front axle (EC)	5100	5100	5100	5100	5100	5100	5100	5100	5100	5100	5100	5100	5100	5100	5100
Plated weight on rear axle (EC)	9500	9500	9500	9500	9500	9500	9500	9500	9500	9500	9500	9500	9500	9500	9500
Trailer weight (inertia brake)									3500	3500	3500	3500	3500	3500	3500
Max body & Payload (EC)	9520	9455	9430	9330	9290	9270	9215	9125	9325	9300	9200	9160	9140	9085	8995

MODEL COMPONENTS

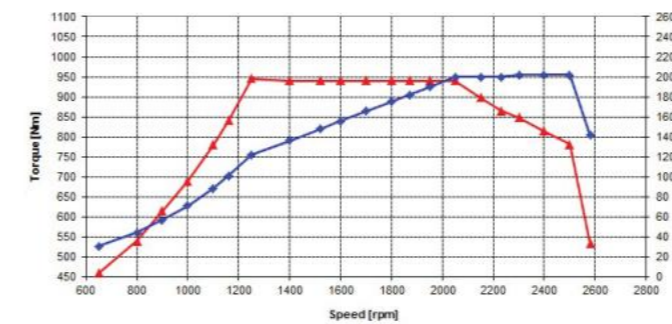
ENGINE

Commercial name	TECTOR
Position	FRONT
Cycle	DIESEL
Aspiration type	TC+AFTERCOOLER
Injection type	DIRECT
4 Stroke / 2 Stroke cycle	4
No. of cylinders	6
Cylinders layout	IN-LINE
Valves per cylinder	4
Bore mm	102
Stroke mm	120
Total displacement cm³	5880
Weight (without oil / water) Kg	510
Oil capacity (l)	11.8
Type of fuel	DIESEL OIL
Injection system	HIGH PRESSURE / COMMON RAIL
Injection governor type	ELECTRONIC INTEGRATED WITH ECU
Cooling system	water
Cold starting type	THERMOSTARTER
Emissions control	EURO3
Cooling system	water
Fan type	viscodynamic
Air intake	WITH SNORKEL
Snorkel position	Behind the cab, left side
Filter type	Dry - Heated
Air filter position	Behind the cabin

DRIVELINE

280 E3 - Motore Tector6 - 5,9 l - 202Kw

Engine Identification Code	F4AEE681A
Power kW	202
Power Hp	275
Rpm at Max Power	2500
Torque Nm	930
At rpm 1/min	1250
Type of turbocharging	with waste gate valve



MLC			MLL		
Wheelbase	Type	Drawing	Wheelbase	Type	Drawing
3105	Left hand drive	5802274387	3690	Left hand drive	5802274388
3690		5802274388	4185	Left hand drive	5802274389
4185	Left hand drive	5802274389	4455	Left hand drive	5802274390
4455	Left hand drive	5802274390	4815	Left hand drive	5802274392
4815	Left hand drive	5802274392	5175	Left hand drive	5802274393
5175	Left hand drive	5802274393	5670	Left hand drive	5802274394
5670	Left hand drive	5802274394	6570	Left hand drive	5802274395
6570	Left hand drive	5802274395			